

Miniature Panel Mount Thermocouple Connector



Features

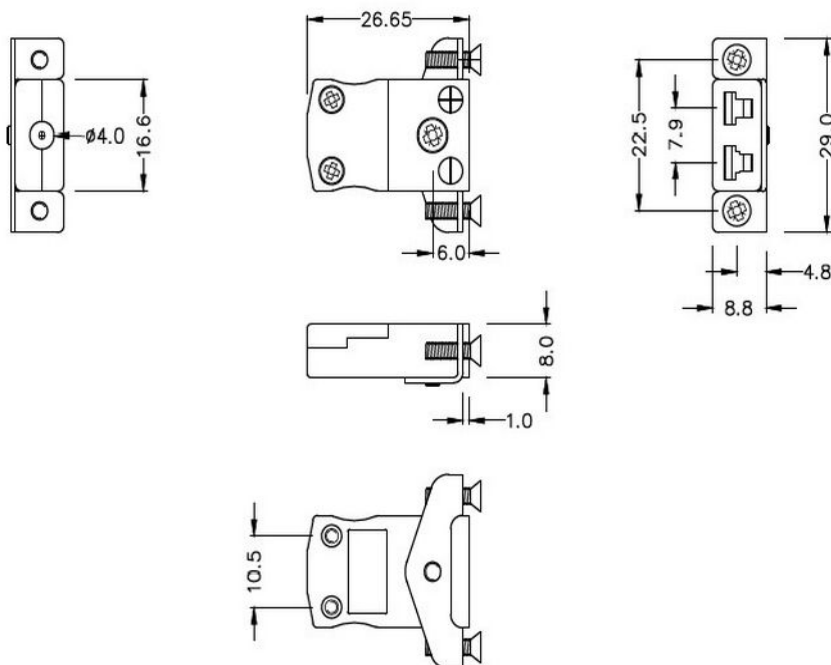
- Stainless steel bracket simply fitted to connector
- Fully enclosed terminals with cable port seal
- The connector features a rugged stainless steel bracket, providing excellent durability and corrosion resistance



Specification

Sensor Type	K
Connector Size	Miniature
Connector Type	Socket with SS Bracket
Colour	Yellow
Max. Temperature	220 °C
+Positive Contact	NiCr
-Negative Contact	NiAl
Standards Met	BS EN 50212:1997; RoHS

Drawing



Miniature in-line Socket with stainless steel mounting bracket
(dimensions in mm)

Art. Nr.
RND 410-00180